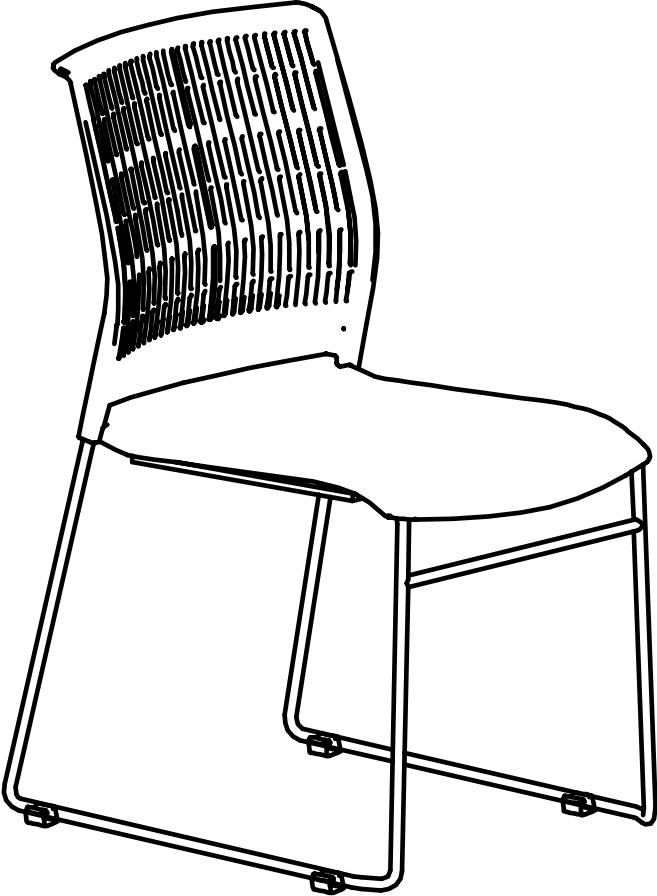


Bundle Stacking Chair



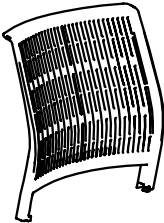
SCAN HERE
to see additional
information and
product videos



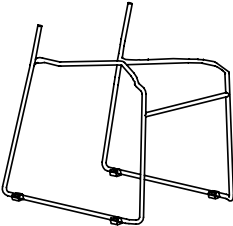
Tools Required

No additional tools required.

Parts Included



A x 1
Backrest



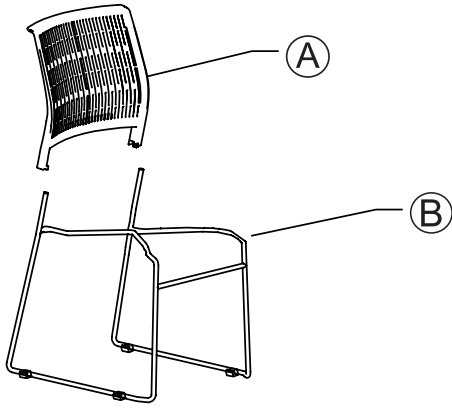
B x 1
Frame



C x 1
Seat Pan

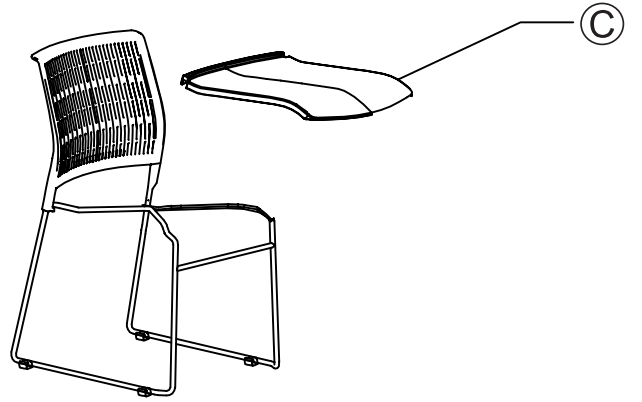
Step 1

Slide backrest onto frame of chair and press down firmly.



Step 2

Place seat onto frame and press down firmly.



Step 3